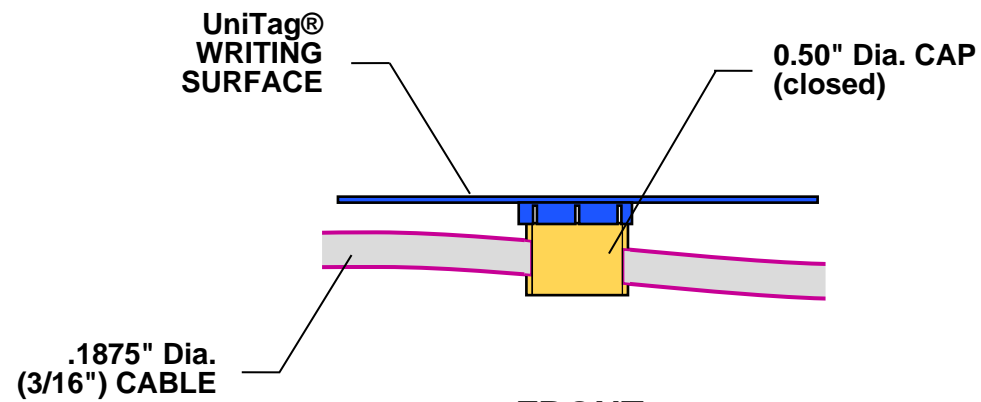
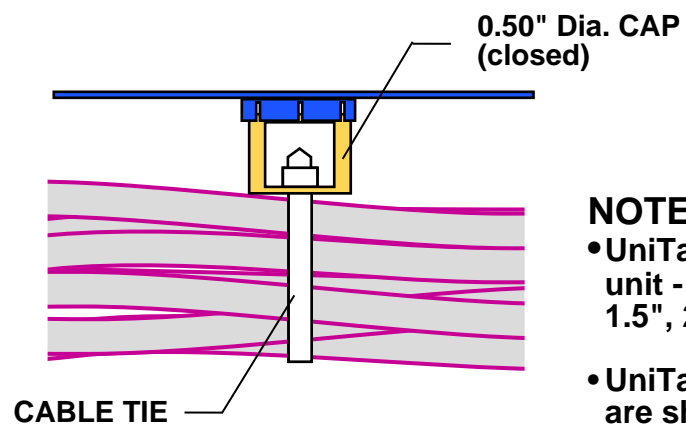


TOP
CAP - SINGLE CABLE SLOT

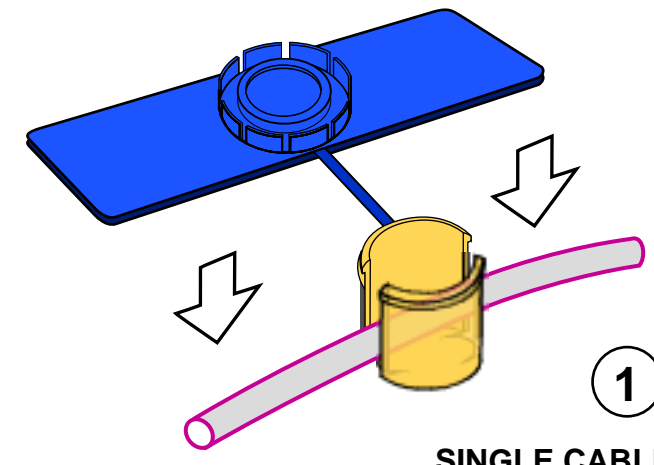


FRONT
CAP - SINGLE CABLE SLOT

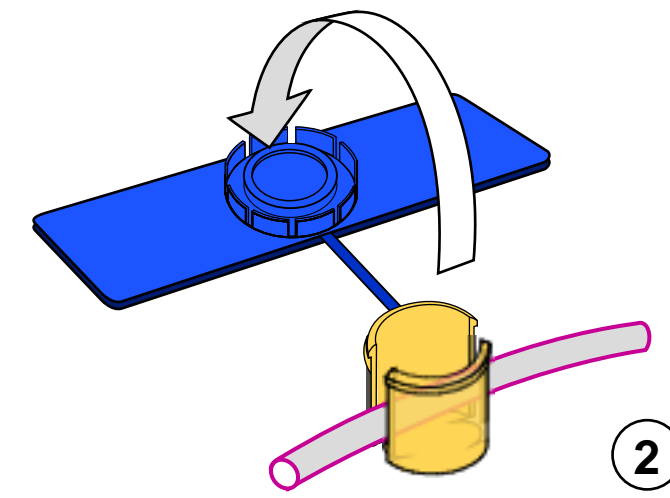


SIDE
CABLE BUNDLE
(secured w/cable tie)

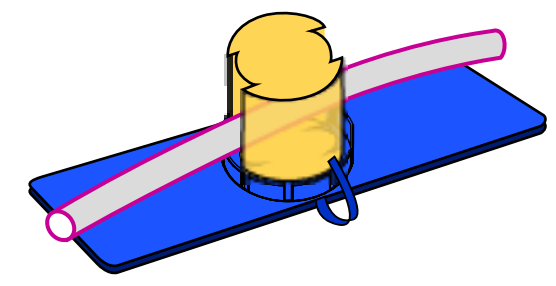
- NOTES:**
- UniTag® is a one-piece molded unit - available in three lengths: 1.5", 2.0" and 2.5".
 - UniTag® Cap and Writing Surface are shown in different colors for purposes of differentiation only.



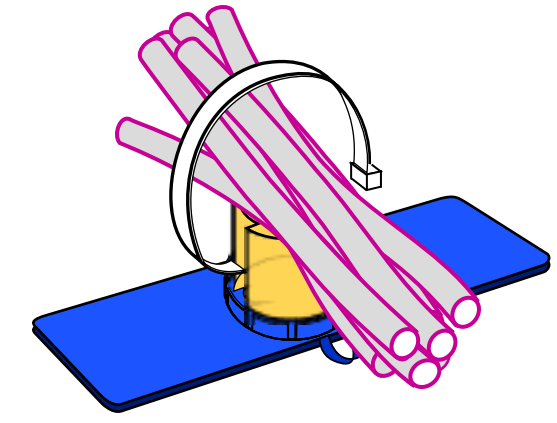
1
SINGLE CABLE METHOD
PLACE CABLE IN CAP SLOT



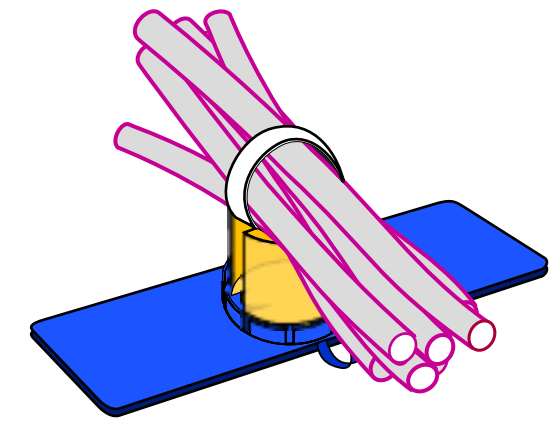
2
ROTATE CAP
AND CABLE



3
SNAP CAP WITH CABLE
INTO RECESS



4
CABLE BUNDLE METHOD
PLACE BUNDLE ON CAP AND WRAP WITH
APPROPRIATE LENGTH CABLE TIE



5
INSERT CABLE TIE IN
SLOT - SECURE ENDS



6
WRITING SURFACE 360° ROTATION
EITHER METHOD WILL ALLOW FOR
ROTATION OF WRITING SURFACE

PROJECT:		
DETAIL AND FUNCTIONALITY: UNITAG®		
FOR: A'n D CABLE PRODUCTS, Inc.		
SCALE: 1" - 1" (unless otherwise)		
CAD OP NAME: A.R. WILLIAMS		
SHEET: 1 OF 1		